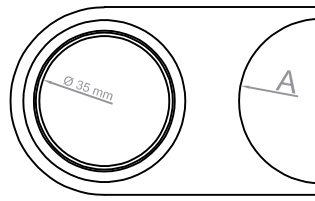
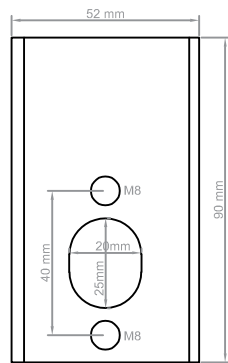
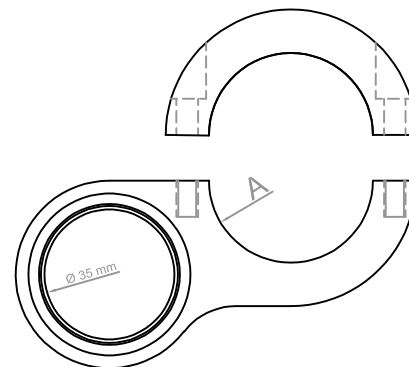
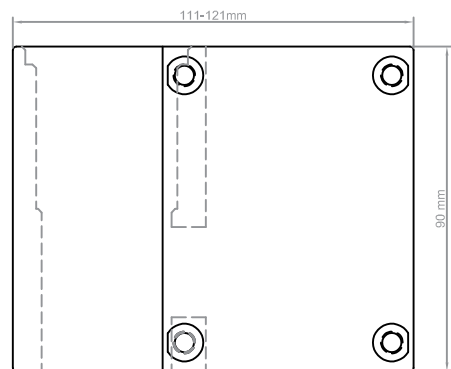


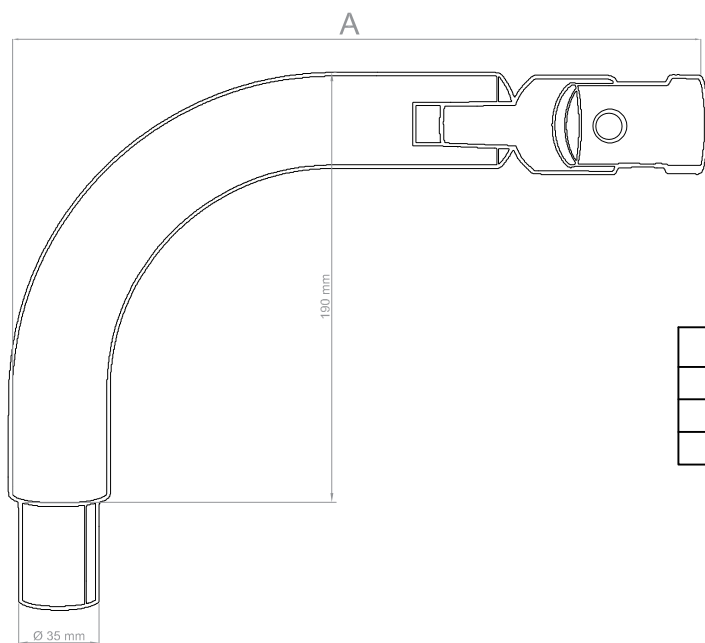
TECNOMED ITALIA monitor arm system with internal cable routing



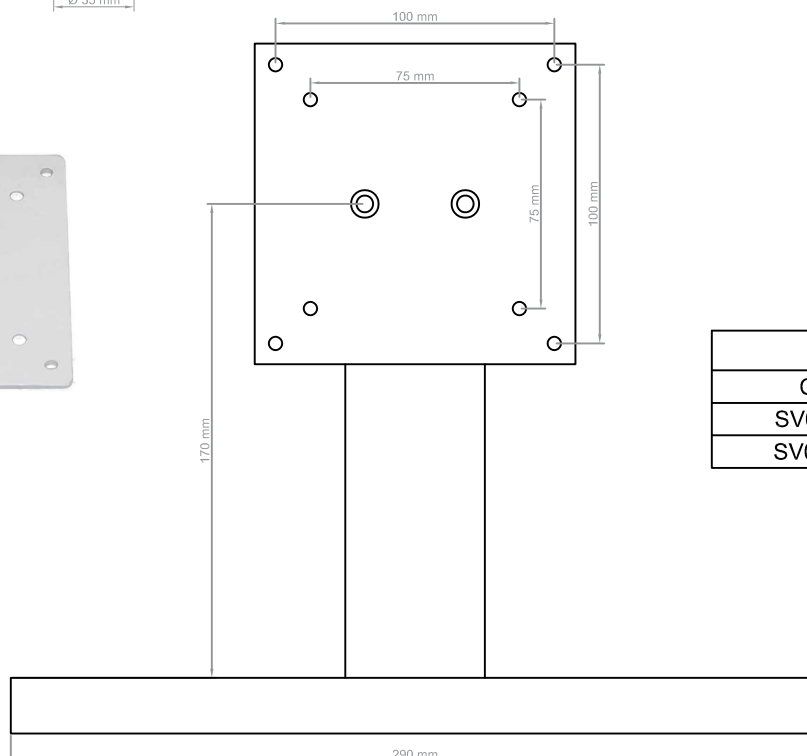
Pole-mounted applications with screws	
Code	A
BL459010	Ø 45 mm
BL509010	Ø 50 mm
BL609010	Ø 60 mm



Pole-mounted clamp applications	
Code	A
GA459010	Ø 45 mm
GA509010	Ø 50 mm
GA559010	Ø 55 mm



Monitor arm applications	
Code	A
BR309010	300 mm
BR409010	400 mm



Vesa 75/100 applications	
Code	handle
SV029010	
SV019010	X



Monitor arm system / V. 1.00

© 2025 Tecnomed Italia® S.r.l. - All rights reserved. Reproduction, distribution or modification without written authorisation is prohibited

www.tecnomeditalia.com

Legal information on <https://shop.tecnomeditalia.com/en/general-sales-terms/>